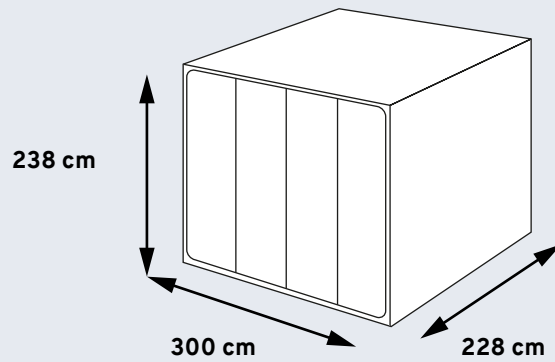


Air freight unit load devices

10 ft container

Base dims 318 x 244 cm
 Height 244 cm
 Internal dims 300 x 228 x 238 cm
 Volume 16 cbm

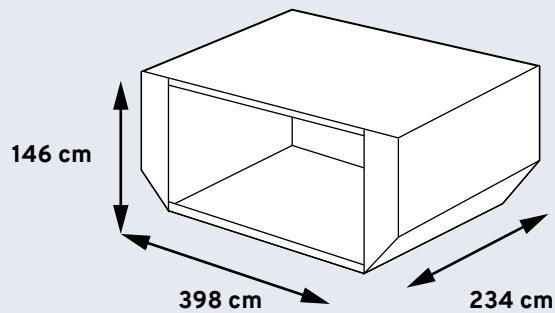
Loadable
 On the Main Deck of the
 B747 freighter and on trucks (RFS)



AMF container

Base dims 318 x 244 cm
 Height 163 cm
 Internal dims 398 x 234 x 146 cm
 Volume 13 cbm

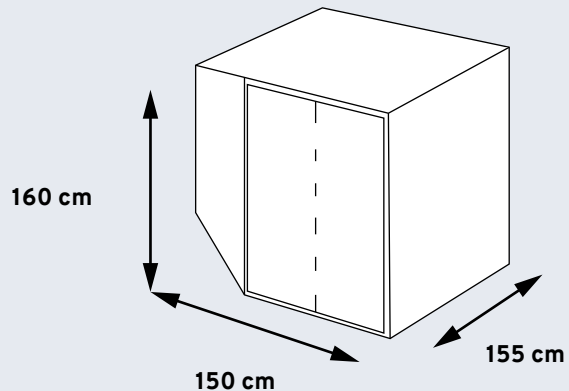
Loadable
 In the Lower Deck in all Wide Body aircraft



LD3 container

Base dims 153 x 158 cm
 Height 163 cm
 Internal dims 150 x 155 x 160 cm
 Volume 4 cbm

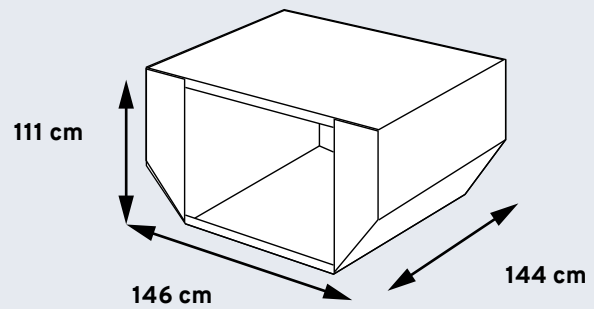
Loadable
 In the Lower Deck in all Wide Body aircraft



AKH container

Base dims 156 x 153 cm
Height 114 cm
Internal dims 146 x 144 x 111 cm
Volume 3.5 cbm

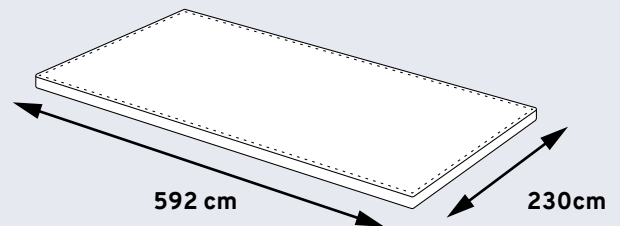
Loadable
Airbus 320/321



AKH container

Base dims 606 x 244 cm
Height 244 cm
Internal dims 592 x 230 cm

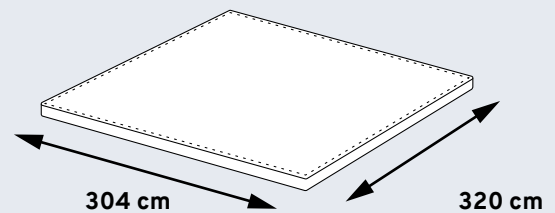
Loadable
On the Main Deck of the
B747 freighter and on trucks (RFS)



10 ft pallet (125 x 96 inches)

Base dims 318x 244 cm
Height 163 / 244 cm
Internal dims 304 x 320 cm

Loadable
On all Wide Body aircraft and freighters (excl.B737QC)



Standard pallet (125 x 88 inches)

Base dims 318x 244 cm
Height 163 cm
Internal dims 304 x 210 cm

Loadable
On all Wide Body aircraft and freighters (excl.B737QC)

